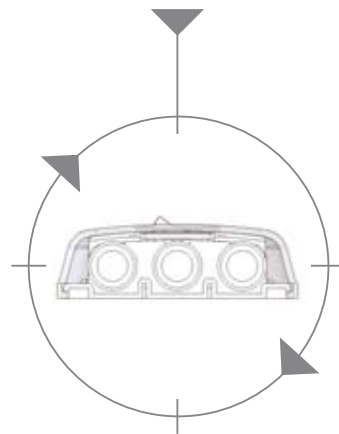


■ **TRILITE SERIES (KL)**

- Unique 3 X 8W light
- Very low power
- Long bulb life (10,000 hrs)
- Only 24mm high

Internal View



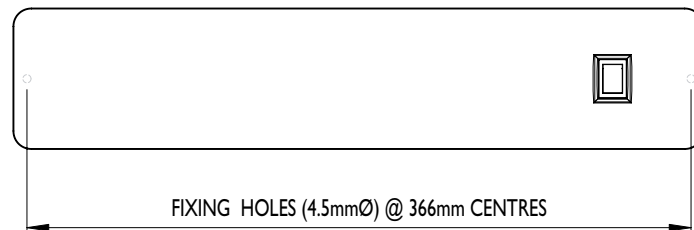
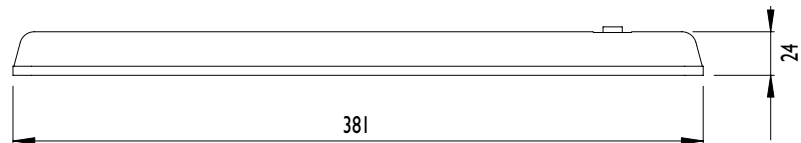
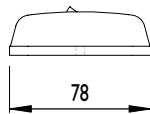
Available from:

|| See technical specifications overleaf >>>

## TRILITE SERIES (KL)



The TRILITE has a unique ability to power up to three tubes at one time. This allows you more flexibility as different light levels can be achieved simply by adding or removing tubes. Because the electronic inverter adjusts to the number of tubes fitted, when a tube begins to fail the light will continue to work until the replacement is found. Power consumption is incredibly low (only 0.45A for the KL8) which means more hours use, and longer life from your battery. Also the TRILITE is the lowest profile light of its kind at only 24mm. In addition to its technological advantage, the aesthetics of the TRILITE are unmatched. The shade has an attractive prismatic pattern on the inside which helps to diffuse the light evenly, while the outside is smooth to prevent dirt accumulation. Unsightly fixing screws are hidden underneath and the rocker switch is positioned flush on the top.



TRILITE SERIES (KL)

### SPECIFICATION

ALL DIMENSIONS HAVE A TOLERANCE OF +/- 1mm

Model No		KL8	KL8/2	KL16	KL16/2	KL24	KL24/2
Supply Voltage	Vdc	12	24	12	24	12	24
Voltage Range	Vdc	10 to 15	20 to 32	10 to 15	20 to 32	10 to 15	20 to 32
Average Current	A	0.45	0.27	0.67	0.4	0.87	0.44
Crest Factor		1.6	1.6	1.6	1.6	1.6	1.6
Frequency	KHz	40		31		20	
Tube Watts	W	8W		16W		24W	
Lumens	Lm	350		600		800	
Weight	Kg	0.28		0.31		0.34	
Temp. Range	°C	-10 to +40		-10 to +40		-10 to +40	

E & OE